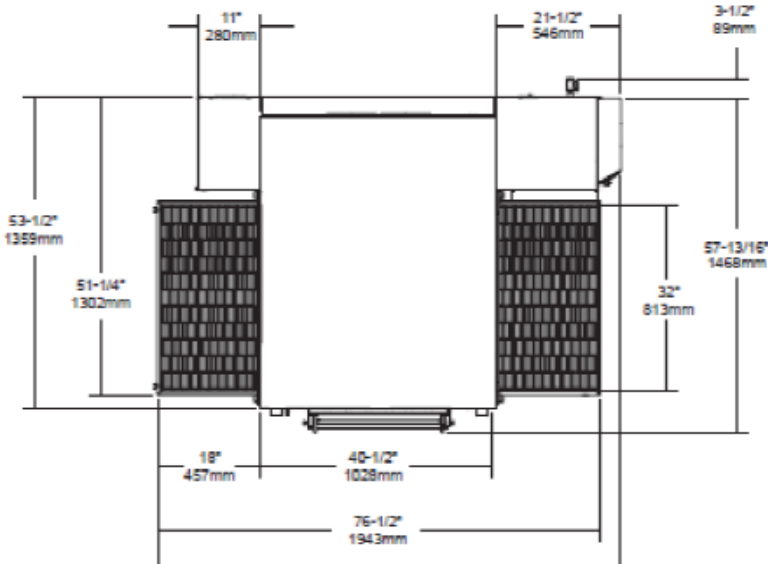


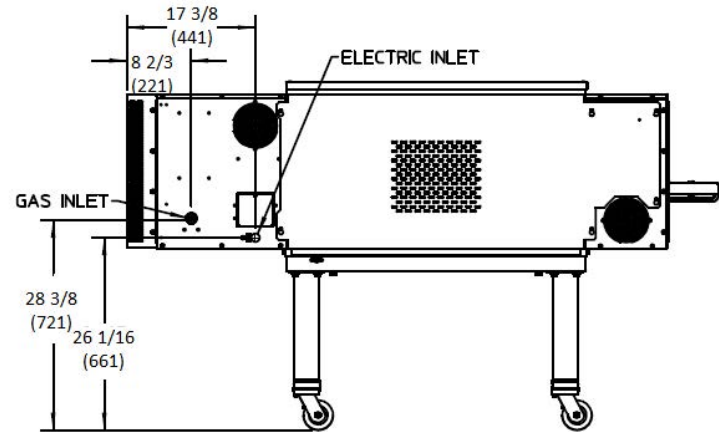
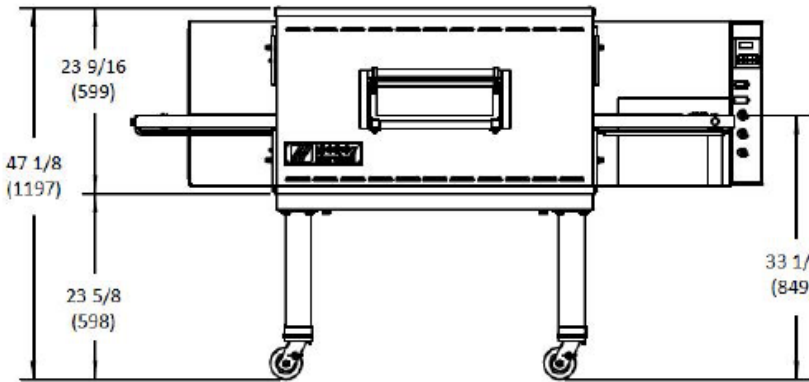
NOTE: Drawings show ovens equipped with casters. .

PS540-1

TOP VIEW

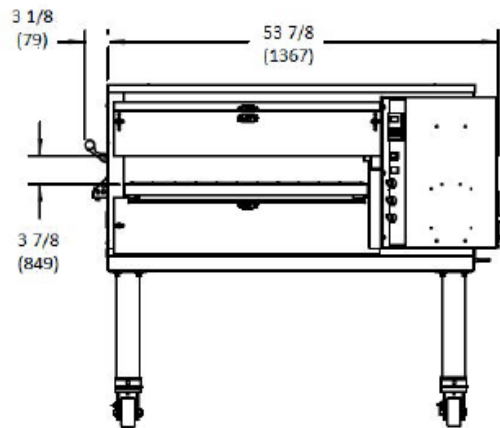


NOTE: All drawings show ovens equipped with casters. Adjustable feet that replace the casters are available as an option.



FRONT VIEW

BACK VIEW

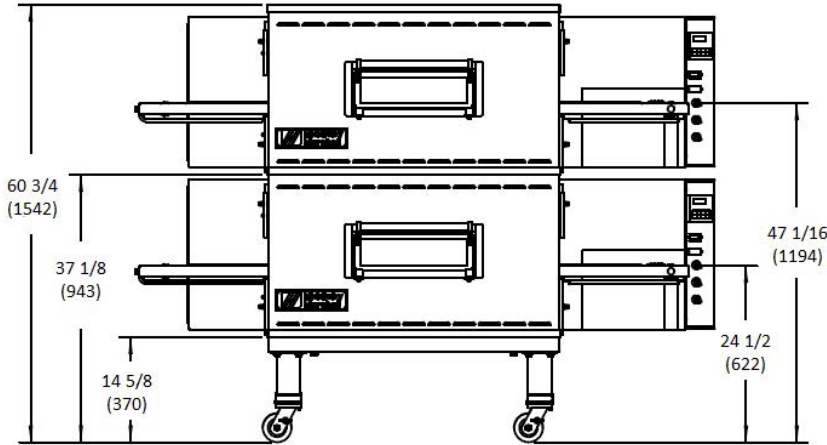


SIDE VIEW

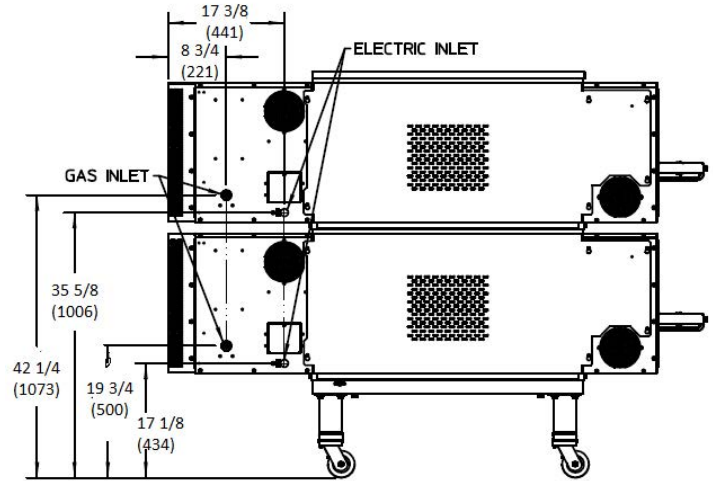
**PS540 Series
Direct Gas Fired Conveyor Oven**

NOTE: Drawings show ovens equipped with casters.

PS540-2

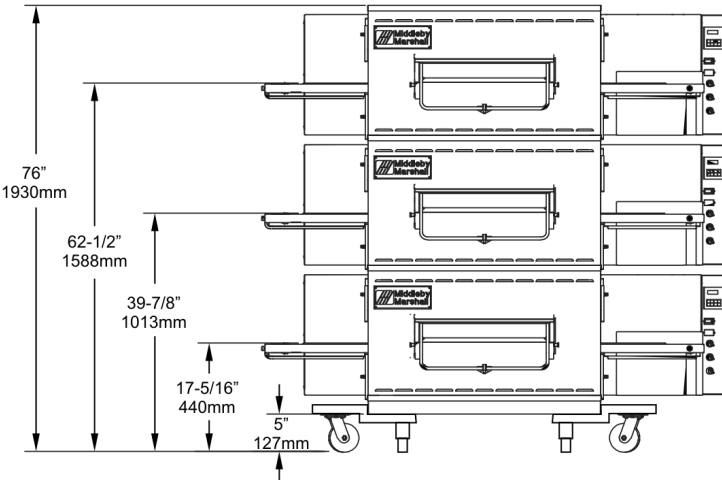


FRONT VIEW

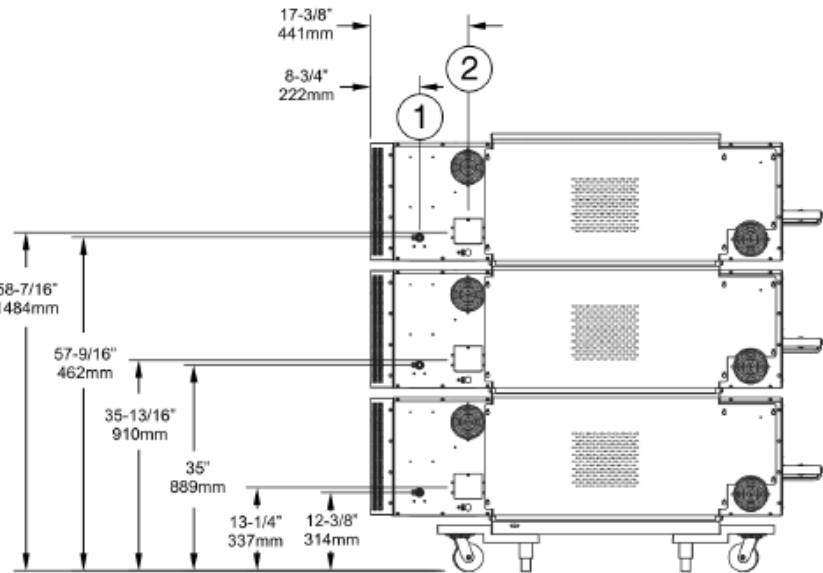


BACK VIEW

PS540-3



FRONT VIEW



BACK VIEW

- ① GAS INLET
- ② ELECTRICAL JUNCTION BOX

RECOMMENDED MINIMUM CLEARANCES

Rear of Oven to Wall	Control end of conveyor to wall	Non-control end of conveyor to wall
0"	0"	0"

GENERAL SPECIFICATIONS

	Heating Zone	Baking Area	Belt Length	Belt Width	Length	Height	Depth	Maximum Operating Temp	Bake Time Range	Ship Wt	Ship Cube
PS540-1	40-1/2" 1028mm	9sq.ft. 0.837m ²	76-1/2" 1943mm	1x32" (813mm) or 2x15"(381mm)	80" 2032mm	47-1/8" 1197mm	60-1/2" 1537mm	550°F 288°C	3:00-30:00 or 1:00-10:00	1100lbs. 499kg	132ft ³ 3.70m ³
PS540-2	81" 2056mm	18sq.ft. 1.674m ²	76-1/2" 1943mm	1x32" (813mm) or 2x15"(381mm)	80" 2032mm	60-3/4" 1542mm	60-1/2" 1537mm	550°F 288°C	3:00-30:00 or 1:00-10:00	2200lbs. 999kg	264ft ³ 7.39m ³
PS540-3	121.5" 3084mm	27sq.ft. 2.511m ²	76-1/2" 1943mm	1x32" (813mm) or 2x15"(381mm)	80" 2032mm	76" 1930mm	60-1/2" 1537mm	550°F 288°C	3:00-30:00 or 1:00-10:00	3300lbs. 1498kg	396ft ³ 11.09m ³

ELECTRICAL SPECIFICATIONS

Version	Voltage	Phase	Freq	Current Draw	Supply	Breakers
USA & std export	208-240v	1	50/60Hz	4.1 Amp	3 wire (2 hot, 1 ground)	As per local codes
Europe (CE)	220-230v	1	50Hz	4.1 Amp	3 wire (2 hot, 1 ground)	As per local codes

* The current draw rating shown above are maximum values for normal operation, amperage draw will be less than the listed value.
NOTE: Each oven includes a 6' cord with NEMA# L6-20P plug. Customer to provide NEMA# L6-20R receptacle

GAS SUPPLY SPECIFICATIONS

Version	Gas Type	North America	IE,IT,PT,ES,GB II _{2H3+}	DE II _{2ELL3B/P}	NL II _{2L3B/P}	BE, FR II _{2E+3+}	AT,CH,DK,FI,SE II _{2H3B/P}	Rated Heat Input
USA & std. export	Natural Gas	6-12" W.C. (14.9-29.9mbar)	-	-	-	-	-	110,000BTU (32.23kW-hr)
USA & std. export	Propane Gas	11-14" W.C. (27.4-34.9mbar)	-	-	-	-	-	110,000BTU (32.23kW-hr)
Europe (CE)	G20	-	20mbar	20mbar	-	20-25mbar	20mbar	32.23kW-hr
Europe (CE)	G25	-	-	20mbar	25mbar	-	-	32.23kW-hr
Europe (CE)	G20, G25	-	20mbar	20mbar	25mbar	20-25mbar	20mbar	32.23kW-hr
Europe (CE)	G30	-	29-37mbar	-	28-30mbar	29-37mbar	50mbar	32.23kW-hr
Europe (CE)	G30, G31	-	-	50mbar	30mbar	-	50mbar	32.23kW-hr

The required gas supply pressures of other locations are dependent on the local gas type and on all applicable local codes.

Minimum Gas Pipe Sizes:

* Natural Gas - 2" (51 mm) main supply line. One 3/4" (19mm) NPT branch per oven cavity with individual full-flow shutoff valve.

* Propane Gas - 1 1/2" (31.8 mm) main supply line. One 3/4" (19mm) NPT branch per oven cavity with individual full-flow shutoff valve

NOTE: Each oven includes (1) 3/4"(19mm)NPT x 48"(1219mm) flexible, vinyl coated gas hose.

ALL SPECIFICATIONS SUBJECT TO CHANGE WITHOUT NOTICE.